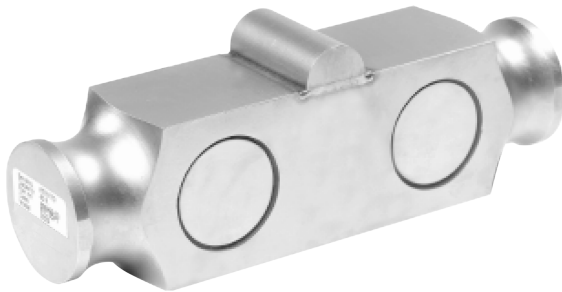


Double Ended Beam Load Cell



FEATURES

- Capacities: 20 to 75Klbs
- Environmental protection: IP67 (DIN 40.050)
- Material: Stainless steel
- Certified by NTEP class III L 10000 divisions

OPTIONAL FEATURE

- FM approved for use in potentially explosive atmosphere

DESCRIPTION

The 9323 is a Double Ended Beam type load cell.

This product is designed for use in certified truck and rail scales and is available in capacities from 20K to 75Klbs.

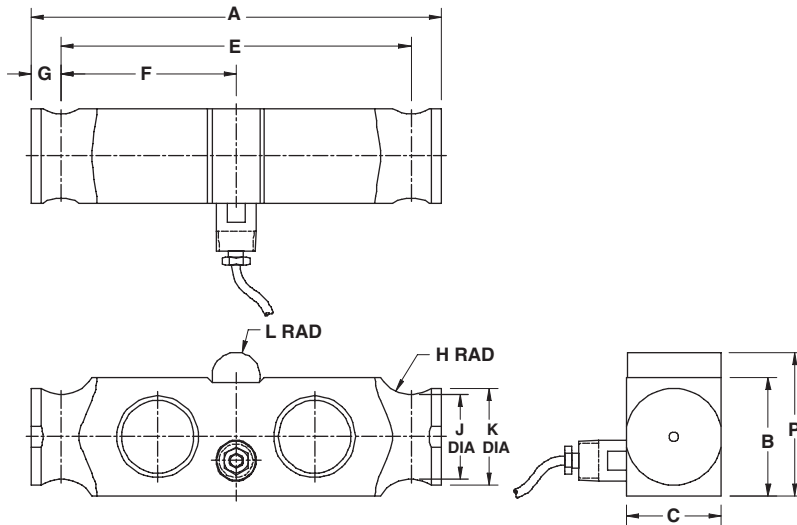
A reliable sealing and mechanical protection of the strain gage area is ensured by the use of potting compound with a metal cover.

This load cell is rated intrinsically safe by the FM system, making it suitable for use in potentially explosive atmosphere.

APPLICATIONS

- Weighbridges
- Silos, tanks and hoppers

OUTLINE DIMENSIONS in inches



Cable specifications:

Cable length:	9 m (30ft)
Excitation +	Red
Excitation -	Black
Output +	Green
Output -	White
Shield	Transparent

Cable screen is not connected to load cell body.

Capacity	20 - 25K	30 - 75K
A	8.00	8.50
B	1.94	2.45
C	1.44	1.95
E	7.12	7.25
F	3.56	3.63
G	0.44	0.63
H	0.38	0.75
J RAD	0.80	1.75
ØK	1.00	2.00
L RAD	0.38	0.50
P	2.31	3.00

SPECIFICATIONS

PARAMETER	VALUE		UNIT
Capacities	20K, 25K, 30K, 40K, 50K, 60K, 75K		lbs
Accuracy class according to NTEP	NTEP III L	Non-Approved	
Max. no. of verification intervals	10000d		
Rated output (=S)	3		mV/V
Rated output tolerance	0.003		±mV/V
Zero balance	1.0		±% FSO
Combined error	0.0200	0.0500	±% FSO
Creep error (20 - 30 minutes)	0.0300	0.0200	±% applied load
Temperature effect on zero	0.0090 (0.0010)	0.0250	±% FSO/5°C (1°F)
Temperature effect on output	0.0072 (0.0008)	0.0250	±% applied load/5°C (1°F)
Compensated temperature range	-10 to +40 (+14 to 104)		°C (°F)
Operating temperature range	-53 to +93 (-65 to +200)		°C (°F)
Safe load limit	150		%E _{max}
Ultimate load	300		%E _{max}
Safe side load limit	100		%E _{max}
Excitation voltage recommended	10		V
Excitation voltage maximum	15		V
Input resistance	700±7		Ω
Output resistance	700±7		Ω
Insulation resistance	≥5000		MΩ
Environmental protection	IP67		
Element material	Stainless steel		ASTM

FSO-Full Scale Output

Correct mounting of the load cells is essential to ensure optimum accuracy and performance. Further information is available upon request.

Disclaimer

All product specifications and data are subject to change without notice.

Vishay Precision Group, Inc., its affiliates, agents, and employees, and all persons acting on its or their behalf (collectively, "Vishay Precision Group"), disclaim any and all liability for any errors, inaccuracies or incompleteness contained herein or in any other disclosure relating to any product.

Vishay Precision Group disclaims any and all liability arising out of the use or application of any product described herein or of any information provided herein to the maximum extent permitted by law. The product specifications do not expand or otherwise modify Vishay Precision Group's terms and conditions of purchase, including but not limited to the warranty expressed therein, which apply to these products.

No license, express or implied, by estoppel or otherwise, to any intellectual property rights is granted by this document or by any conduct of Vishay Precision Group.

The products shown herein are not designed for use in medical, life-saving, or life-sustaining applications unless otherwise expressly indicated. Customers using or selling Vishay Precision Group products not expressly indicated for use in such applications do so entirely at their own risk and agree to fully indemnify Vishay Precision Group for any damages arising or resulting from such use or sale. Please contact authorized Vishay Precision Group personnel to obtain written terms and conditions regarding products designed for such applications.

Product names and markings noted herein may be trademarks of their respective owners.